

PCIRCLE 2 SLOT TECHNICAL PARAMETERS

SUPPLY

m ³ /h	dim (mm)	P CIRCLE 160-2 Slot	P CIRCLE 200-2 Slot					
	Ak (m ²)	0.0143	0.0174					
60	X (m)							
	Pt (Pa)							
	SPLA (dB (A))							
80	X (m)							
	Pt (Pa)							
	SPLA (dB (A))							
100	X (m)	0.5	0.4					
	Pt (Pa)	3	2					
	SPLA (dB (A))	<20	<20					
160	X (m)	0.9	0.7					
	Pt (Pa)	5	3					
	SPLA (dB (A))	<20	<20					
200	X (m)	1.1	0.9					
	Pt (Pa)	7	5					
	SPLA (dB (A))	<20	<20					
300	X (m)	1.6	1.3					
	Pt (Pa)	17	10					
	SPLA (dB (A))	<20	<20					
400	X (m)	2.2	1.8					
	Pt (Pa)	32	17					
	SPLA (dB (A))	25	22					
500	X (m)	2.7	2.2					
	Pt (Pa)	52	27					
	SPLA (dB (A))	30	27					
600	X (m)	3.2	2.6					
	Pt (Pa)	77	39					
	SPLA (dB (A))	34	30					
700	X (m)		3.1					
	Pt (Pa)		54					
	SPLA (dB (A))		34					

X (m) - Throw distance (0,25 m/s)

Pt (Pa) - Pressure drop in the diffuser

SPLA (dba) - Sound pressure level at 1m distance
from the diffuser

Ak (m²) - effective area

	Green	Yellow	Red
X (m)	When short throw distance is needed	When average throw distance is needed	When bigger throw distance is needed
Pa	Where low pressure drop is required	Where medium pressure drop is suitable	Where big pressure drop is suitable
SPLA	Rooms with no ambient noise (Bedroom)	Rooms with medium ambient noise (Lobby)	Rooms with ambient noise (Office room)

* IMPORTANT: This information is for guidance only, please consult your HVAC professional for you specific requirements.

EXHAUST

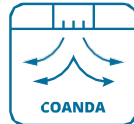
m ³ /h	dim (mm)	P CIRCLE 160-2 Slot	P CIRCLE 200-2 Slot				
	Ak (m ²)	0.0143	0.0174				
60	X (m)						
	Pt (Pa)						
	SPLA (dB (A))						
80	X (m)						
	Pt (Pa)						
	SPLA (dB (A))						
100	X (m)						
	Pt (Pa)	5	2				
	SPLA (dB (A))	<20	<20				
160	X (m)						
	Pt (Pa)	12	6				
	SPLA (dB (A))	<20	<20				
200	X (m)						
	Pt (Pa)	18	9				
	SPLA (dB (A))	<20	<20				
300	X (m)						
	Pt (Pa)	38	21				
	SPLA (dB (A))	<20	<20				
400	X (m)						
	Pt (Pa)	64	35				
	SPLA (dB (A))	25	22				
500	X (m)						
	Pt (Pa)		53				
	SPLA (dB (A))		27				
600	X (m)						
	Pt (Pa)		84				
	SPLA (dB (A))		30				

PCIRCLE 1602

ROUND DIFFUSER „COANDA“



Order code for 1602 \varnothing :
PCIRCLE 1602
Hole diameter

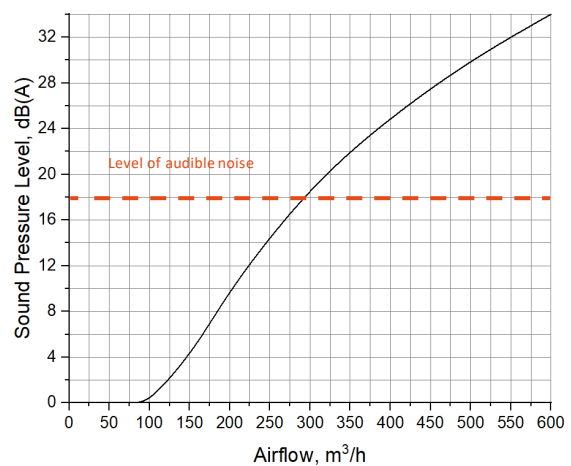
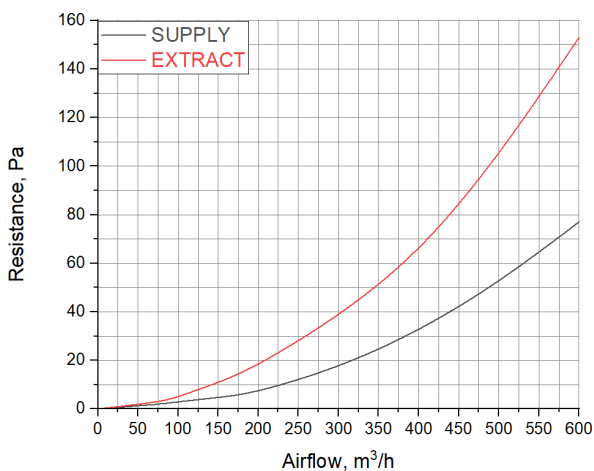
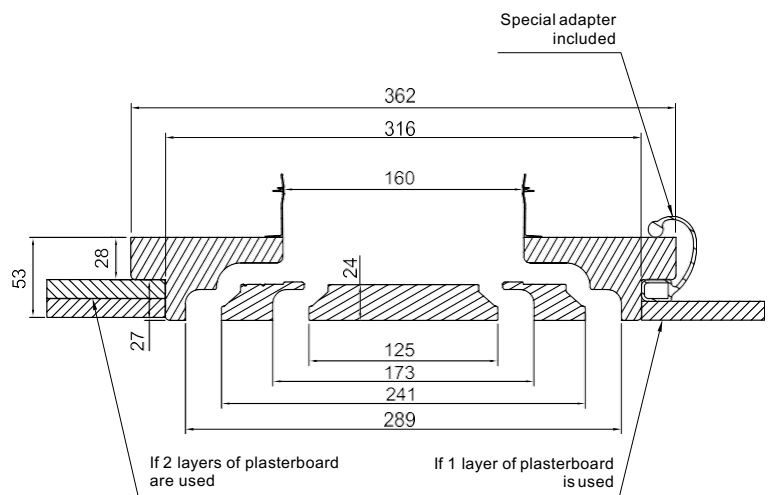
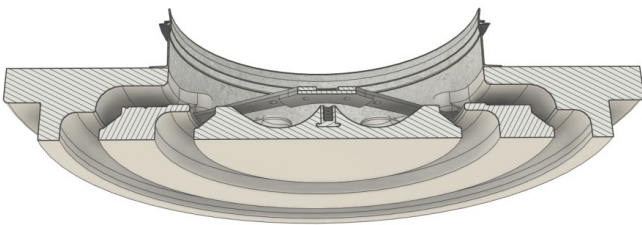


reddot winner 2023

160 mm
CONNECTION DIAMETER

4,85 kg
WEIGHT WITHOUT PACKAGING (NET)

COANDA effect
SPECIAL PATENTED SHAPE

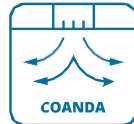


PCIRCLE 2002

ROUND DIFFUSER „COANDA“



Order code for 2002 ø:
PCIRCLE 2002
Hole diameter



reddot winner 2023

200 mm
CONNECTION DIAMETER

5,55 kg
WEIGHT WITHOUT PACKAGING (NET)

COANDA effect
SPECIAL PATENTED SHAPE

