

OUTDOOR UNIT

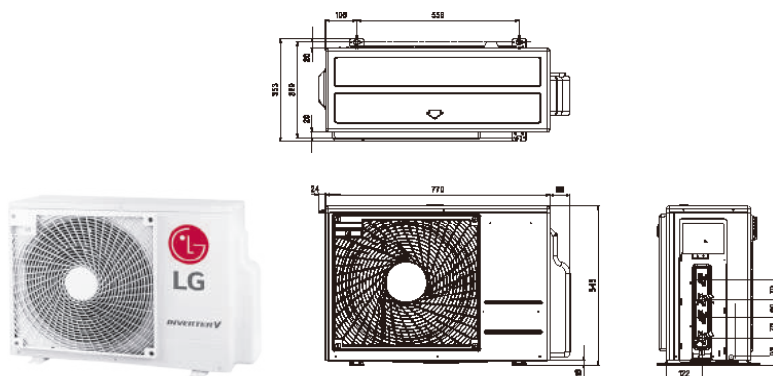


MU2R15
MU2R17

(Unit : mm)



LG participates in the ECP programme for EUROVENT AC program.
Check ongoing validity of certification
: www.eurovent-certification.com

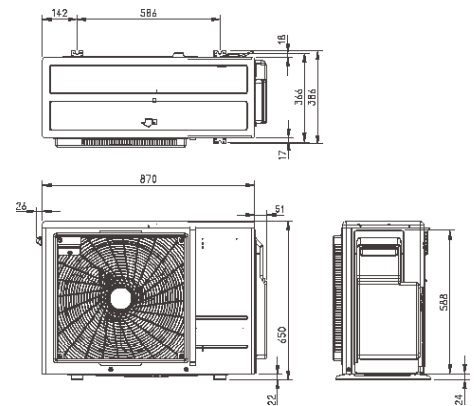


OUTDOOR UNIT				MU2R15.ULO	MU2R17.ULO
Compressor	Type			Twin Rotary	Twin Rotary
Capacity *	Cooling	Min / Nom / Max	kW	0.9 / 4.1 / 4.7	0.9 / 4.7 / 5.4
	Heating	Min / Nom / Max	kW	1.0 / 4.7 / 5.4	1.0 / 5.3 / 5.7
Low Temperature Capacity	Heating -7°C	Max	kW	3.3	3.7
Power Input *	Cooling	Min / Nom / Max	kW	0.2 / 1.0 / 1.4	0.2 / 1.3 / 1.7
	Heating	Min / Nom / Max	kW	0.2 / 1.1 / 1.4	0.2 / 1.3 / 1.6
Running Current	Cooling	Min / Nom / Max	A	1.1 / 4.6 / 6.4	1.1 / 5.6 / 7.9
	Heating	Min / Nom / Max	A	1.1 / 4.9 / 6.6	1.1 / 5.5 / 7.6
EER				4.14	3.75
COP				4.38	4.22
SEER				8.50	7.80
SCOP				4.20	4.20
Pdesign (@-10°C)			kW	4.10	4.10
Seasonal Energy Label	Cooling / Heating (A+++ to D Scale)			A+++ / A+	A++ / A+
Annual Energy Consumption	Cooling / Heating			169 / 1,367	210 / 1,367
Airflow Rate	Nom		m³/min	28.2	28.2
Sound Pressure	Cooling	Nom	dB(A)	48	48
	Heating	Nom	dB(A)	51	51
Sound Power	Cooling	Max	dB(A)	61	63
Dimensions	W x H x D		mm	770 x 545 x 288	770 x 545 x 288
Net Weight			Kg	36	36
Refrigerant	Type			R32	R32
	Charge		Kg	1.1	1.1
	Additional Charge		g/m	20	20
	GWP			675	675
	t-CO ₂ eq			0.74	0.74
Operation Range (Outdoor)	Cooling	Min / Max	°C DB	-10 / 48	-10 / 48
	Heating	Min / Max	°C WB	-18 / 18	-18 / 18
Power Supply			V, Ø, Hz	220-240, 1, 50	220-240, 1, 50
Power Supply Cable			No. x mm²	3C x 2.5	3C x 2.5
Transmission Cable			No. x mm²	4C x 0.75	4C x 0.75
Circuit Breaker			A	15	15
Piping Length Total			m	30	30
Piping Length per Branch		Max	m	20	20
Piping Elevation Difference	IDU - ODU	Max	m	15	15
	IDU - IDU	Max	m	7.5	7.5
Piping Connection	Liquid		mm(inch) x No.	Ø6.35 (1/4) x 2	Ø6.35 (1/4) x 2
	Gas		mm(inch) x No.	Ø9.52 (3/8) x 2	Ø9.52 (3/8) x 2

MU3R19
MU3R21
MU4R25



LG participates in the ECP programme for EUROVENT AC program.
Check ongoing validity of certification
: www.eurovent-certification.com



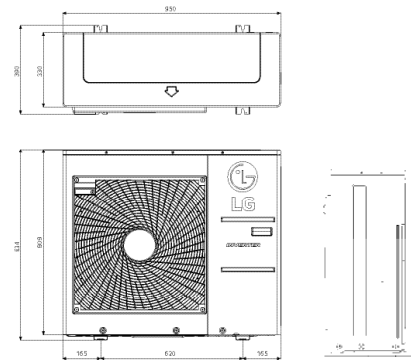
OUTDOOR UNIT				MU3R19.U21	MU3R21.U21	MU4R25.U21
Compressor	Type			Twin Rotary	Twin Rotary	Twin Rotary
Capacity *	Cooling	Min / Nom / Max	kW	1.1 / 5.3 / 6.3	1.1 / 6.2 / 7.3	1.1 / 7.0 / 8.5
	Heating	Min / Nom / Max	kW	1.2 / 6.3 / 7.3	1.2 / 7.0 / 7.8	1.2 / 8.1 / 9.1
Low Temperature Capacity	Heating -7°C	Max	kW	5.2	5.5	5.9
Power Input *	Cooling	Min / Nom / Max	kW	0.3 / 1.1 / 2.0	0.3 / 1.4 / 2.5	0.3 / 1.8 / 2.8
	Heating	Min / Nom / Max	kW	0.3 / 1.3 / 2.0	0.3 / 1.5 / 2.4	0.3 / 1.8 / 2.9
Running Current	Cooling	Min / Nom / Max	A	1.3 / 5.0 / 9.2	1.3 / 6.5 / 11.1	1.3 / 8.0 / 12.6
	Heating	Min / Nom / Max	A	1.3 / 5.7 / 9.2	1.3 / 6.9 / 10.8	1.3 / 8.3 / 12.9
EER				4.75	4.28	4.00
COP				5.00	4.60	4.40
SEER				8.50	8.50	8.00
SCOP				4.40	4.40	4.40
Pdesign (@-10°C)			kW	5.20	5.20	5.40
Seasonal Energy Label	Cooling / Heating (A+++ to D Scale)			A+++ / A+	A+++ / A+	A++ / A+
Annual Energy Consumption	Cooling / Heating			217 / 1,655	253 / 1,655	308 / 1,718
Airflow Rate	Nom		m ³ /min	50	50	50
Sound Pressure	Cooling	Nom	dB(A)	48	49	50
	Heating	Nom	dB(A)	53	54	54
Sound Power	Cooling	Max	dB(A)	63	64	66
Dimensions	W x H x D		mm	870 x 650 x 330	870 x 650 x 330	870 x 650 x 330
Net Weight			Kg	46	46	46.2
Refrigerant	Type			R32	R32	R32
	Charge		Kg	1.4	1.4	1.4
	Additional Charge		g/m	20	20	20
	GWP			675	675	675
	t-CO ₂ eq			0.945	0.945	0.945
Operation Range (Outdoor)	Cooling	Min / Max	°C DB	-10 ~ 48	-10 ~ 48	-10 ~ 48
	Heating	Min / Max	°C WB	-18 ~ 18	-18 ~ 18	-18 ~ 18
Power Supply			V, Ø, Hz	1 / 220-240 / 50	1 / 220-240 / 50	1 / 220-240 / 50
Power Supply Cable			No. x mm ²	3C x 2.5	3C x 2.5	3C x 2.5
Transmission Cable			No. x mm ²	4C x 0.75	4C x 0.75	4C x 0.75
Circuit Breaker			A	20	20	20
Piping Length Total			m	50	50	70
Piping Length per Branch	Max		m	25	25	25
Piping Elevation Difference	IDU - ODU	Max	m	15	15	15
	IDU - IDU	Max	m	7.5	7.5	7.5
Piping Connection	Liquid			Ø 6.35 (1/4) x 3	Ø 6.35 (1/4) x 3	Ø 6.35 (1/4) x 4
	Gas			Ø 9.52 (3/8) x 3	Ø 9.52 (3/8) x 3	Ø 9.52 (3/8) x 4

MU4R27
MU5R30

(Unit : mm)



LG participates in the ECP programme for EUROVENT AC program.
 Check ongoing validity of certification
 : www.eurovent-certification.com



OUTDOOR UNIT				MU4R27.U40	MU5R30.U40
Compressor	Type			Twin Rotary	Twin Rotary
Capacity *	Cooling	Min / Nom / Max	kW	1.3 / 7.9 / 9.5	1.3 / 8.8 / 10.6
	Heating	Min / Nom / Max	kW	1.5 / 9.1 / 10.6	1.5 / 10.1 / 12.1
Low Temperature Capacity	Heating -7°C	Max	kW	6.4	7.1
Power Input *	Cooling	Min / Nom / Max	kW	0.4 / 1.8 / 2.9	0.4 / 2.0 / 3.4
	Heating	Min / Nom / Max	kW	0.6 / 2.1 / 3.4	0.6 / 2.2 / 3.6
Running Current	Cooling	Min / Nom / Max	A	1.9 / 8.1 / 13.1	1.9 / 9.1 / 15.2
	Heating	Min / Nom / Max	A	2.8 / 9.4 / 15.3	2.8 / 9.7 / 16.3
EER				4.39	4.40
COP				4.39	4.70
SEER				8.00	8.20
SCOP				4.20	4.20
Pdesign (@-10°C)			kW	7.00	7.40
Seasonal Energy Label	Cooling / Heating (A+++ to D Scale)			A++ / A+	A++ / A+
Annual Energy Consumption	Cooling / Heating			346 / 2,333	376 / 2,467
Airflow Rate	Nom		m ³ /min	60	60
Sound Pressure	Cooling	Nom	dB(A)	50	50
	Heating	Nom	dB(A)	54	54
Sound Power	Cooling	Max	dB(A)	65	66
Dimensions	W x H x D		mm	950 x 834 x 330	950 x 834 x 330
Net Weight			Kg	61	61
Refrigerant	Type			R32	R32
	Charge		Kg	2.3	2.6
	Additional Charge		g/m	20	20
	GWP			675	675
	t-CO ₂ eq			1.55	1.76
Operation Range (Outdoor)	Cooling	Min / Max	°C DB	-10 / 48	-10 / 48
	Heating	Min / Max	°C WB	-18 / 18	-18 / 18
Power Supply			V, Ø, Hz	220-240, 1, 50	220-240, 1, 50
Power Supply Cable			No. x mm ²	3C x 2.5	3C x 2.5
Transmission Cable			No. x mm ²	4C x 0.75	4C x 0.75
Circuit Breaker			A	25	25
Piping Length Total			m	70	75
Piping Length per Branch		Max	m	25	25
Piping Elevation Difference	IDU - ODU	Max	m	15	15
	IDU - IDU	Max	m	7.5	7.5
Piping Connection	Liquid		mm(inch) x No.	Ø6.35 (1/4) x 4	Ø6.35 (1/4) x 5
	Gas		mm(inch) x No.	Ø9.52 (3/8) x 4	Ø9.52 (3/8) x 5