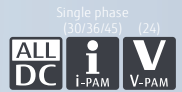


Model : ARYG45LHTA / ARYG54LHTA /  
ARYG45LHTA [3phase] / ARYG54LHTA [3phase] / ARYG60LHTA [3phase]



Wired R.C.



ARYG45/54LHTA



ARYG60LHTA



## High Static Pressure Duct Range

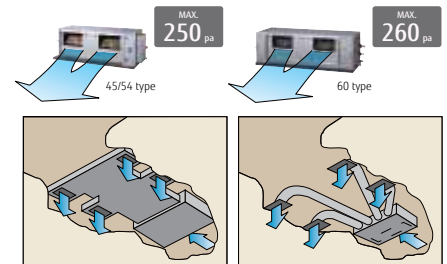
### Feature

#### High energy efficiency

Significantly greater efficiency is realized by using all DC inverter technology. (60 type)

### Feature

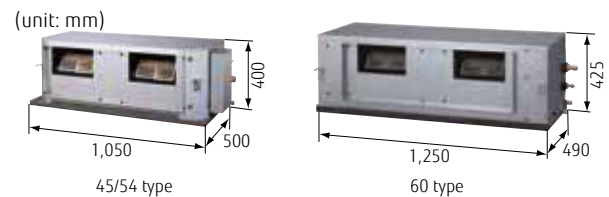
#### Design also corresponding to high static pressure



### Feature

#### Easy installation (Compact size & Lightweight)

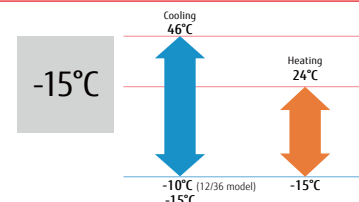
A compact size and lightweight indoor unit has been developed by reducing the basic chassis and the overall material weight.



### Feature

#### Low ambient operation

Simple flat Auto Louver will provide comfort airflow and harmonize with luxury interior.



## Optional parts

Wired Remote Controller:	UTYRVNYM
Simple Remote Controller:	UTYRSNYM
Long Life Filter	UTDLF60KA (for ARYG45/54LHTA only)
Remote Sensor Unit:	UTYXSZX
IR Receiver Kit	UTYLRHYM (for ARYG60LHTA only)
External Connect Kit - Indoor	UTDECS5A
External Connect Kit - Outdoor	UTYXWZXZ2
Modbus Interface	FJRCMBS1
KNX Interface	FJRCKNX1i
WiFi Interface	FJRCWIF1

# Feature explanation



## Economy mode

Thermostat setting automatically changes according to the temperature to avoid unnecessary cooling and heating.



## Auto-changeover

The unit automatically switches between heating and cooling modes based on your temperature setting and the room temperature.



## Automatic fan speed

The micro-computer automatically adjusts the airflow effectively to follow the changes of room temperature.



## Auto restart

In the event of a temporary power failure, the air conditioner will automatically restart in the same operating mode as before, once power supply is restored.



## Weekly + setback timer

Weekly + Setback timer can set temperature for two times spans and for each day of the week.



## Filter sign

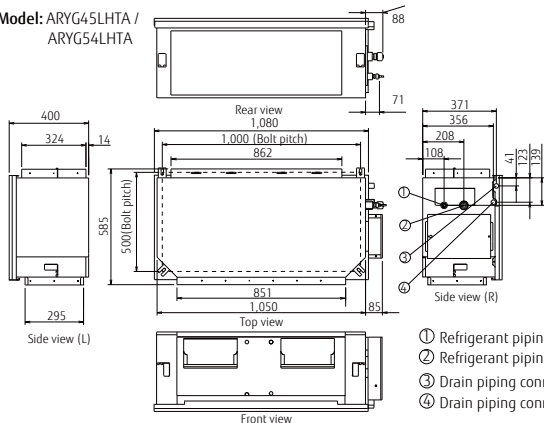
Indicates the filter cleaning period by lamp.



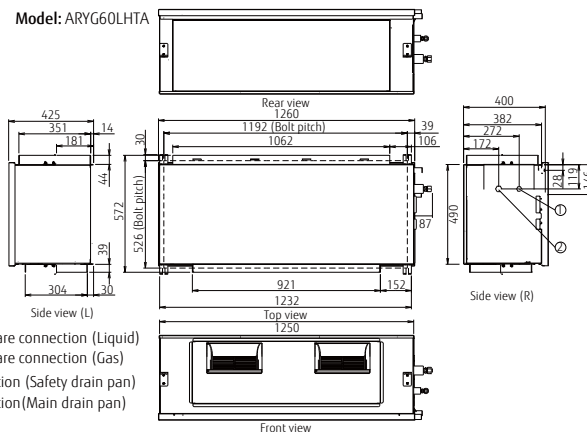
## Blue fin

# Dimensions

Model: ARYG45LHTA / ARYG54LHTA



Model: ARYG60LHTA



(Unit : mm)

- ① Refrigerant piping flare connection (Liquid)
- ② Refrigerant piping flare connection (Gas)
- ③ Drain piping connection (Safety drain pan)
- ④ Drain piping connection (Main drain pan)

# Specifications

(TENTATIVE)

	Indoor	3-Phase Units					
		ARYG45LHTA AOYG45LET1	ARYG54LHTA AOYG54LET1	ARYG45LHTA AOYG45LATT	ARYG54LHTA AOYG54LATT	ARYG60LHTA AOYG60LATT	
Nominal Capacity (kW)	Cooling	12.50 (4.50-14.00)	13.40 (5.00-14.50)	12.50 (5.00-14.00)	14.00 (5.40-16.00)	15.00 (6.20-17.50)	
	Heating	14.00 (5.00-16.20)	16.00 (5.50-18.00)	14.00 (5.40-16.20)	16.00 (5.80-18.00)	18.00 (6.20-20.00)	
UK Total / Sensible Cooling *		12.07 / 10.17	13.14 / 10.93	11.47 / 9.59	12.85 / 10.32	13.47 / 12.77	
Power Consumption (kW)	Cooling	4.30	4.77	4.06	4.65	4.70	
	Heating	3.80	4.69	3.67	4.37	5.15	
EER / COP (Nominal Conditions)		2.91 / 3.68	2.81 / 3.41	3.08 / 3.81	3.01 / 3.66	3.19 / 3.50	
Pdesign (kW) @ -10°C	Cooling	-	-	-	-	-	
	Heating	-	-	-	-	-	
SEER	Cooling	-	-	-	-	-	
	Heating (Average)	-	-	-	-	-	
SCOP	Cooling	-	-	-	-	-	
	Heating (Average)	-	-	-	-	-	
Energy Efficiency Class	Cooling	-	-	-	-	-	
	Heating (Average)	-	-	-	-	-	
Annual Energy Consumption (kWh/a)	Cooling	-	-	-	-	-	
	Heating	-	-	-	-	-	
Moisture Removal	l/h	1.50	2.00	1.50	2.50	2.00	
	Dimensions (HxWxD) mm	Inner 400x1050x500 Outer 1290x900x330	Inner 400x1050x500 Outer 1290x900x330	Inner 400x1050x500 Outer 1290x900x330	Inner 400x1050x500 Outer 1290x900x330	Inner 425x1250x490 Outer 1290x900x330	
Net Weight (kg)	Inner	46	46	46	46	54	
	Outer	86	86	104	104	104	
Room Air Circulation (high) m3/h	Inner	3350	3350	3350	3350	3550	
	Outer	6750	6750	6750	6900	6900	
Static Pressure Range (Standard)	Pa	100 to 250 (100)	100 to 250 (100)	100 to 250 (100)	100 to 250 (100)	60 to 260 (60)	
Power Supply	V-PH-Hz	230 / 1 / 50	230 / 1 / 50	400 / 3 / 50	400 / 3 / 50	400 / 3 / 50	
Power Supply To		Outdoor	Outdoor	Outdoor	Outdoor	Outdoor	
Running Current (A)	Cooling	18.90	20.90	6.10	6.90	6.90	
	Heating	16.70	20.50	5.50	6.50	7.60	
Starting Current	A	22.50	23.50	10.00	10.00	7.60	
Suggested MCB/Fuse	A	25	25	16	16	16	
Interconnecting Cable		3 + E	3 + E	3 + E	3 + E	3 + E	
Remote Control Type		Wired	Wired	Wired	Wired	Wired	
Sound Pressure (dB(A) Cooling)	Indoor Q/L/M/H	- / 40 / 43 / 47	- / 40 / 43 / 47	- / 40 / 43 / 47	- / 40 / 43 / 47	- / 36 / 40 / 45	
	Outdoor H	55	55	54	55	56	
	Indoor H	-	-	-	-	-	
Sound Power (dB(A) Cooling)	Indoor H	-	-	-	-	-	
	Outdoor H	-	-	-	-	-	
Max Pipe Length	m	50	50	75	75	75	
Max Height Difference	m	30	30	30	30	30	
Refrigerant Charge	m	20	20	30	30	30	
Additional Refrigerant Charge	g/m	40	40	50	50	50	
Pipe Size (inches)	Gas	5/8	5/8	5/8	5/8	5/8	
	Liquid	3/8	3/8	3/8	3/8	3/8	
Operating Range (OC)	Cooling	-15 ~ 46	-15 ~ 46	-15 ~ 46	-15 ~ 46	-15 ~ 46	
	Heating	-15 ~ 24	-15 ~ 24	-15 ~ 24	-15 ~ 24	-15 ~ 24	
Refrigerant		R410A	R410A	R410A	R410A	R410A	

### Note

•Cooling/heating capacities are based on the following conditions.

Cooling	Indoor temperature 23°CDB / 16°CWB Outdoor temperature 30°C
---------	--

- Performance test is in accordance with EN14511
- Seasonal efficiency test is in accordance with EN14825
- Sound power test is in accordance with EN12102



- Specifications and design are subject to change without notice for further improvement.
- Actual products' colours may be different from the colours shown in this printed material.

### Distributed by :

**FUJITSU GENERAL AIR CONDITIONING (UK) LTD**  
Unit 150 Centennial Park, Centennial Avenue, Elstree, Herts. WD6 3SG  
www.fujitsu-general.com/uk

Tel: +44 (0)208 731 3450 Fax: +44 (0)208 731 3451

Copyright© 2016 Fujitsu General Limited. All rights reserved. 3EFNP10-1510E